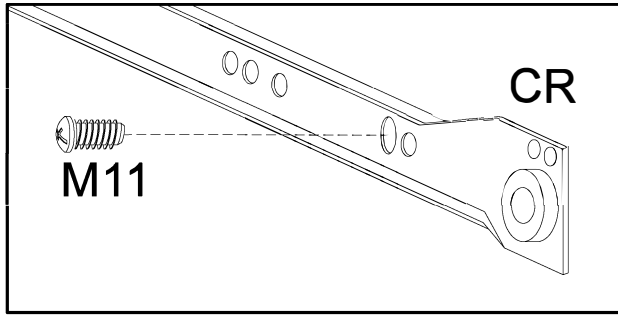
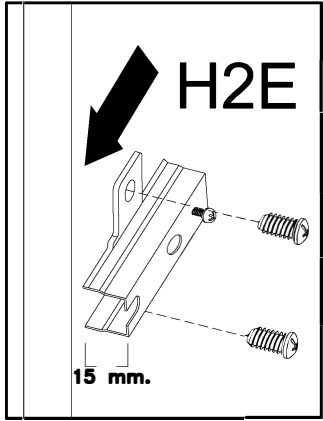
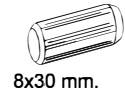


1



B



8x30 mm.

x12

M11



6x11 mm.

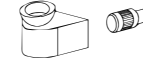
x8

R



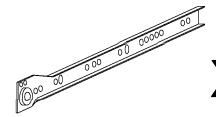
x12

R1



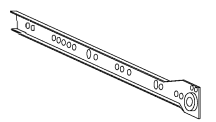
x4

CL



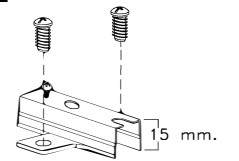
x2

CR

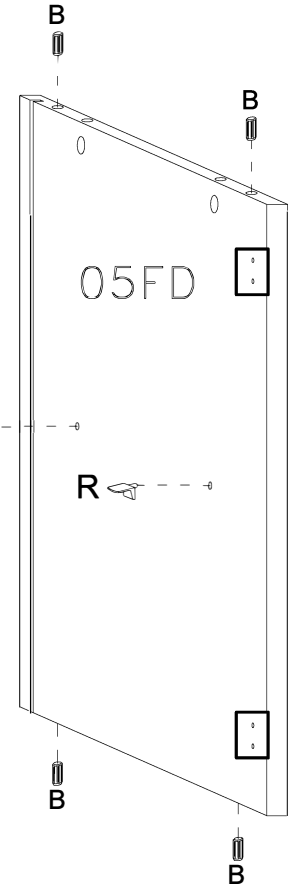
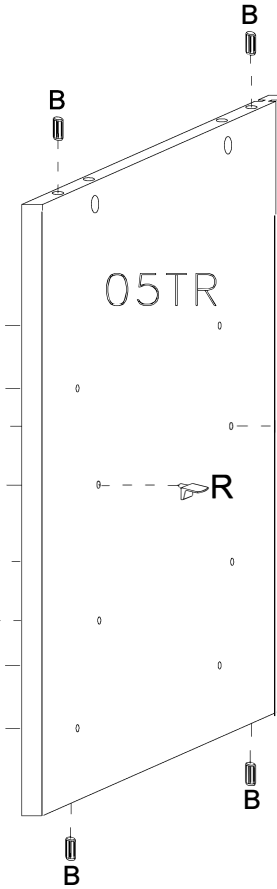
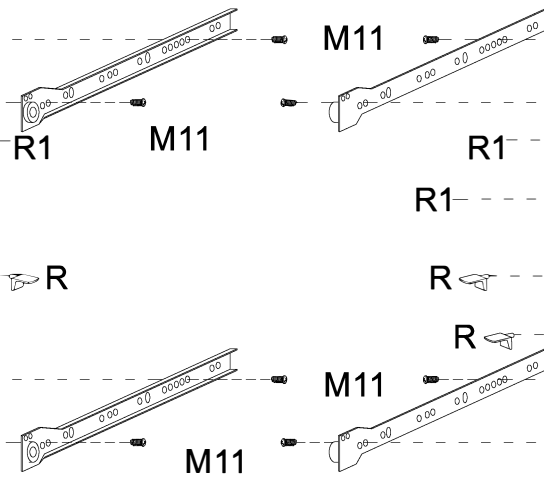
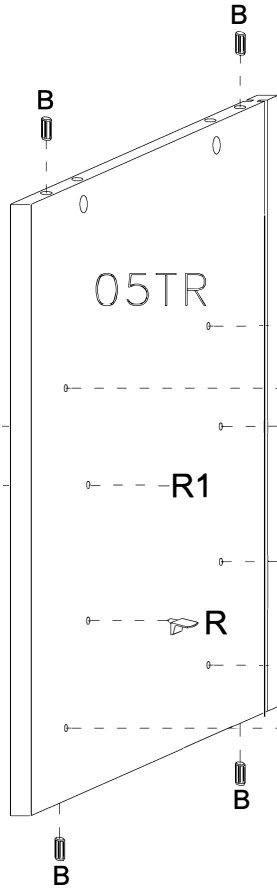
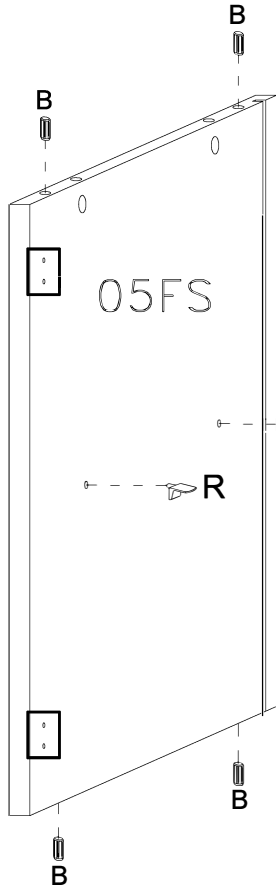


x2



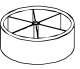
H2E

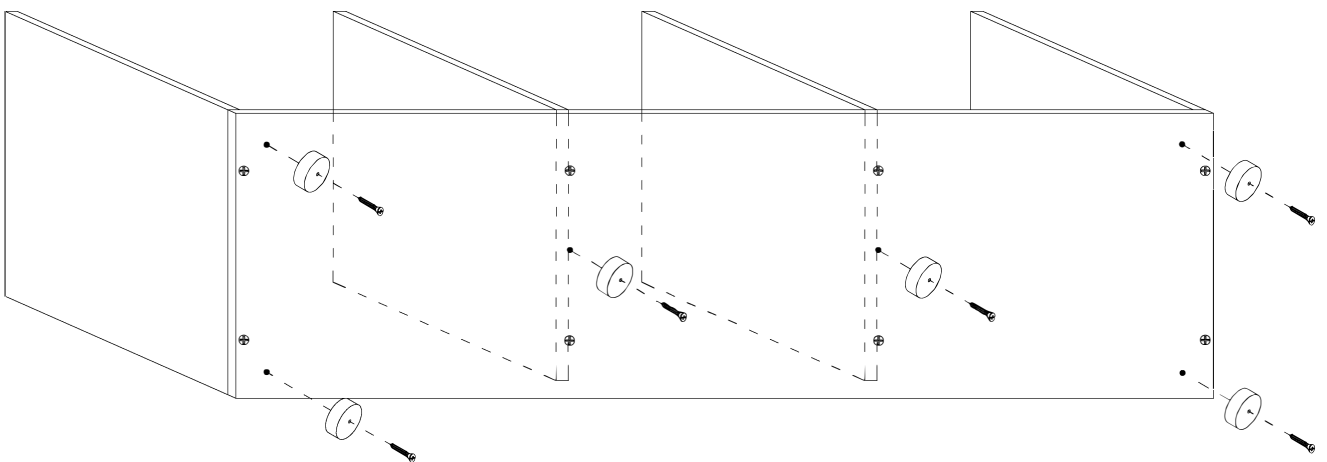
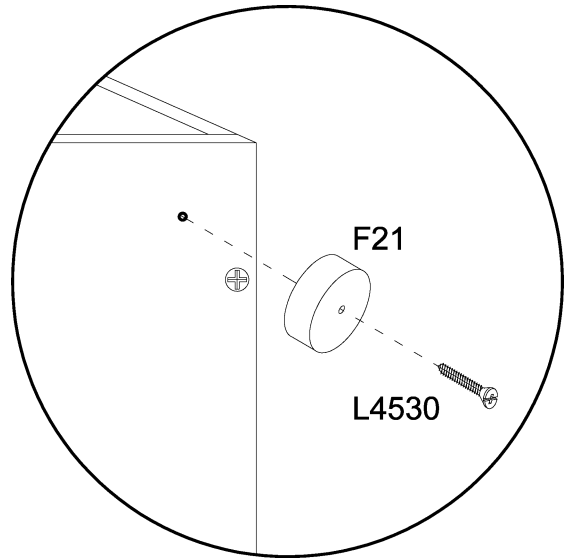
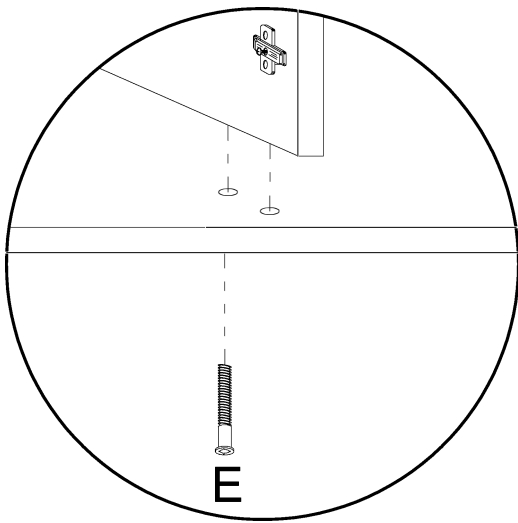
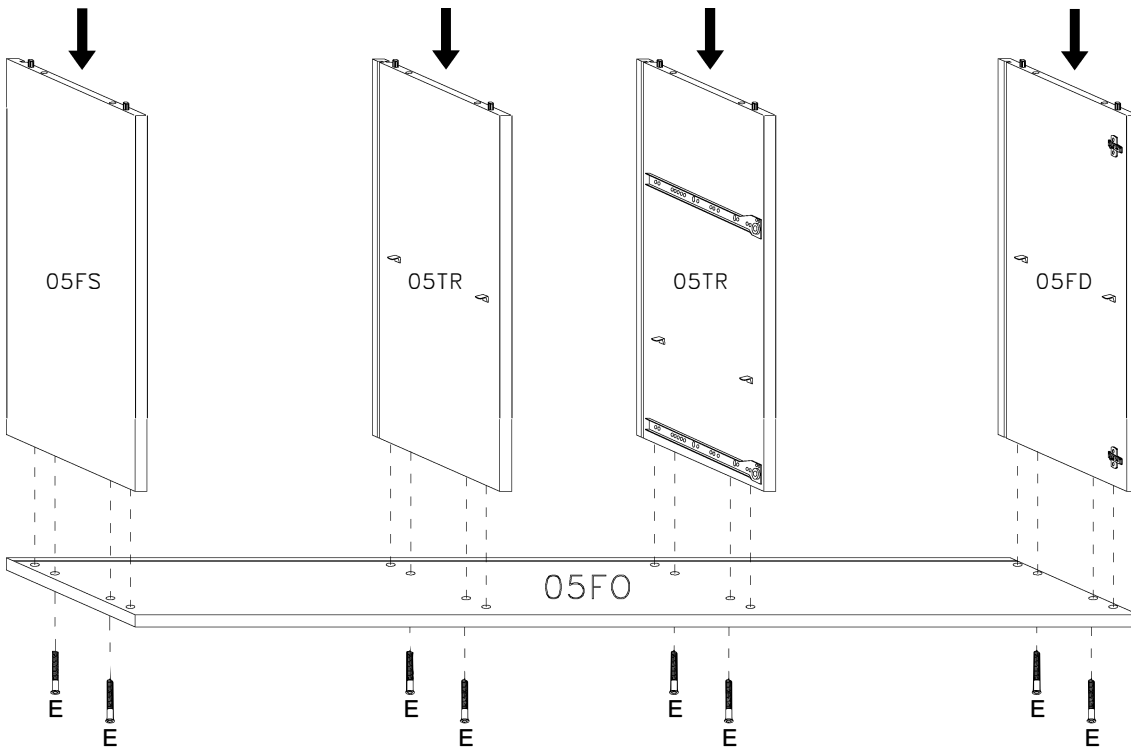


x4

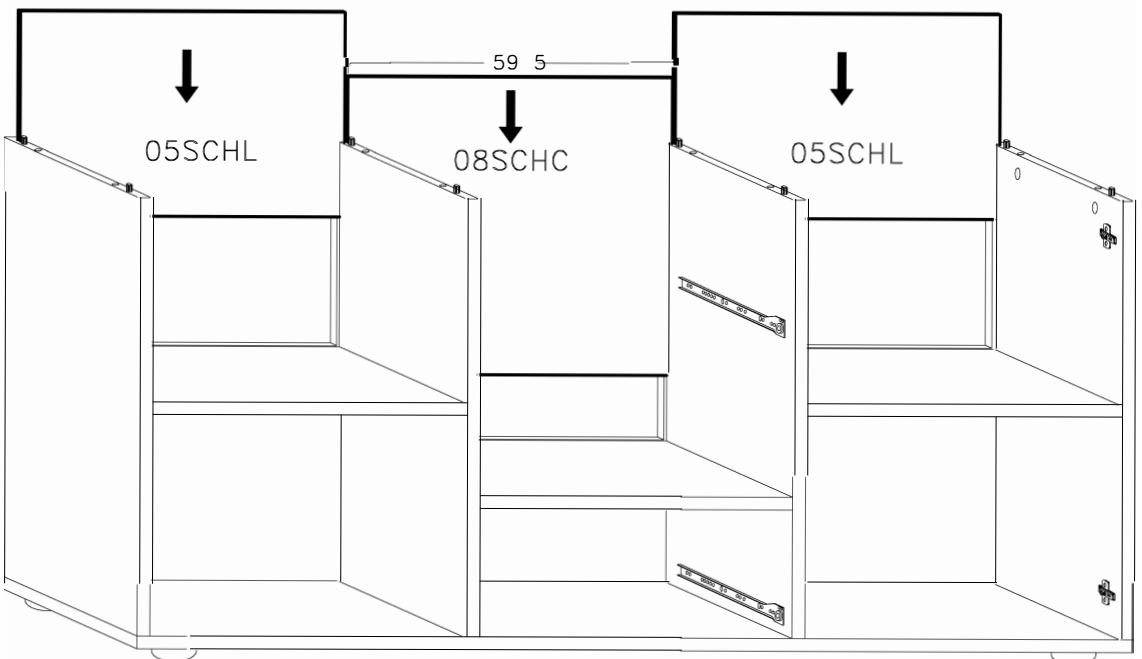
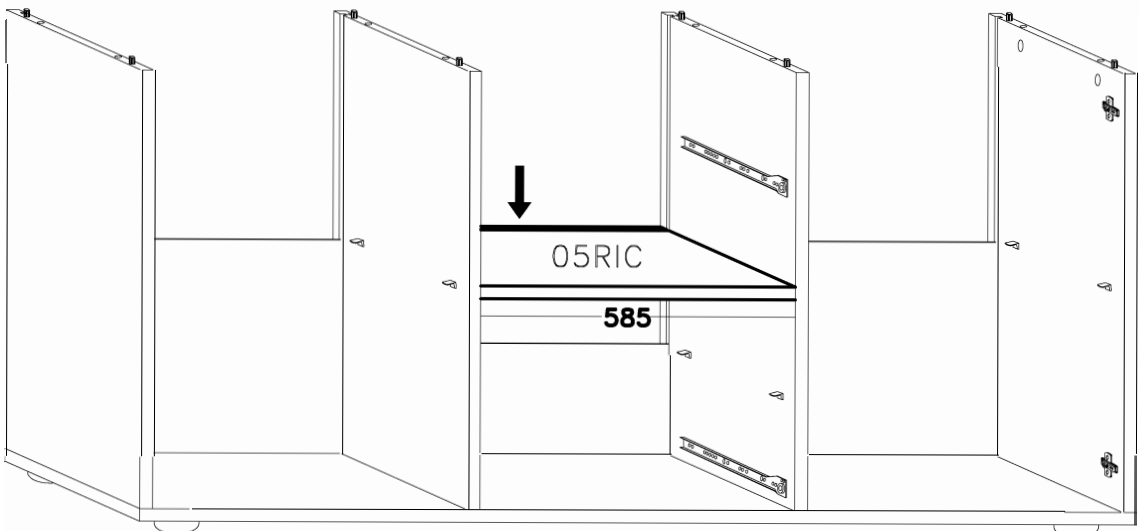
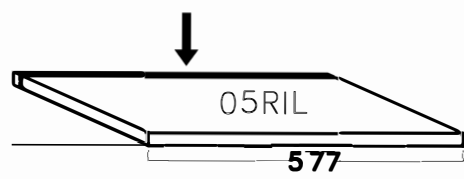
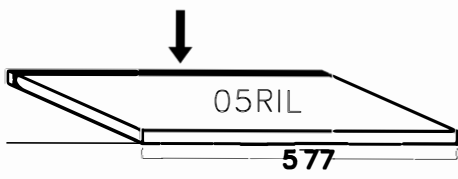
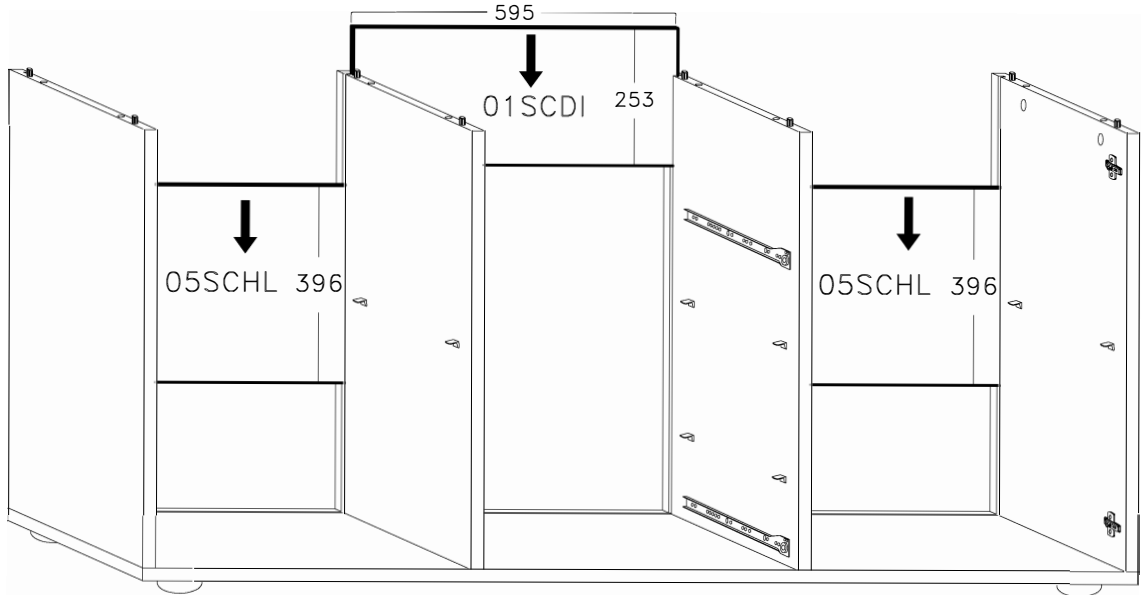


2

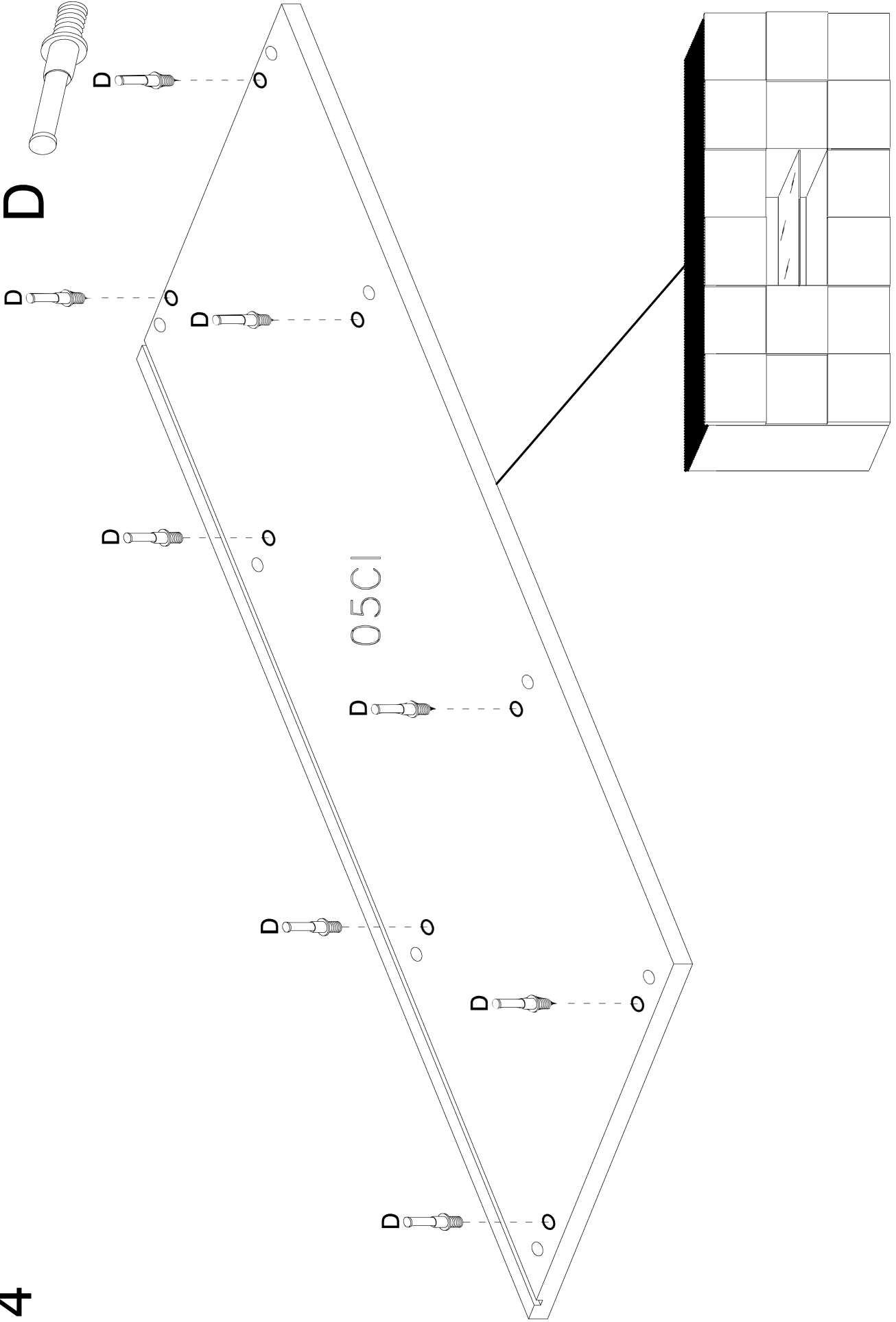
- E**  7x60 mm. **x8**
- L4530**  4.5x30 mm. **x6**
- F21**  Ø 60 mm h 20 mm. **x6**



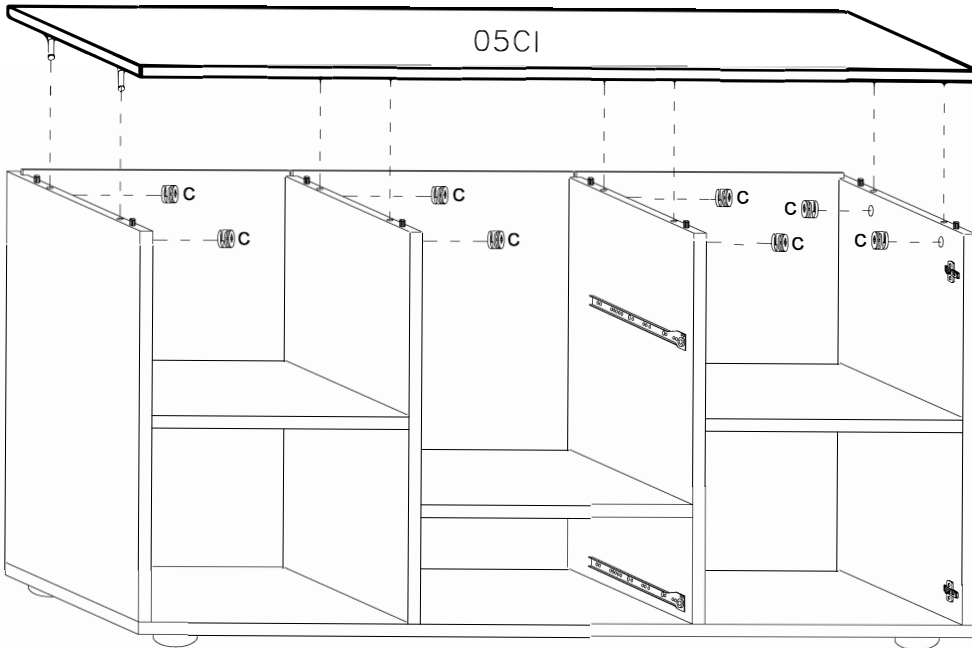
3



D
x8



5

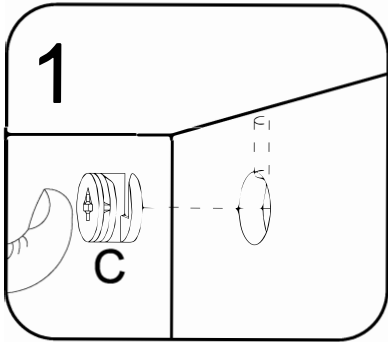


C



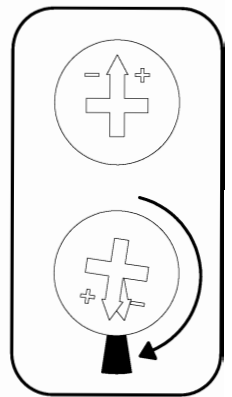
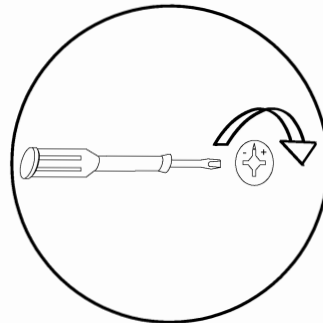
ø15 mm.

x8

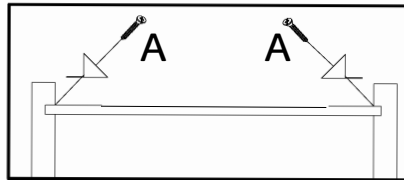


1

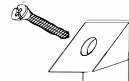
2



6

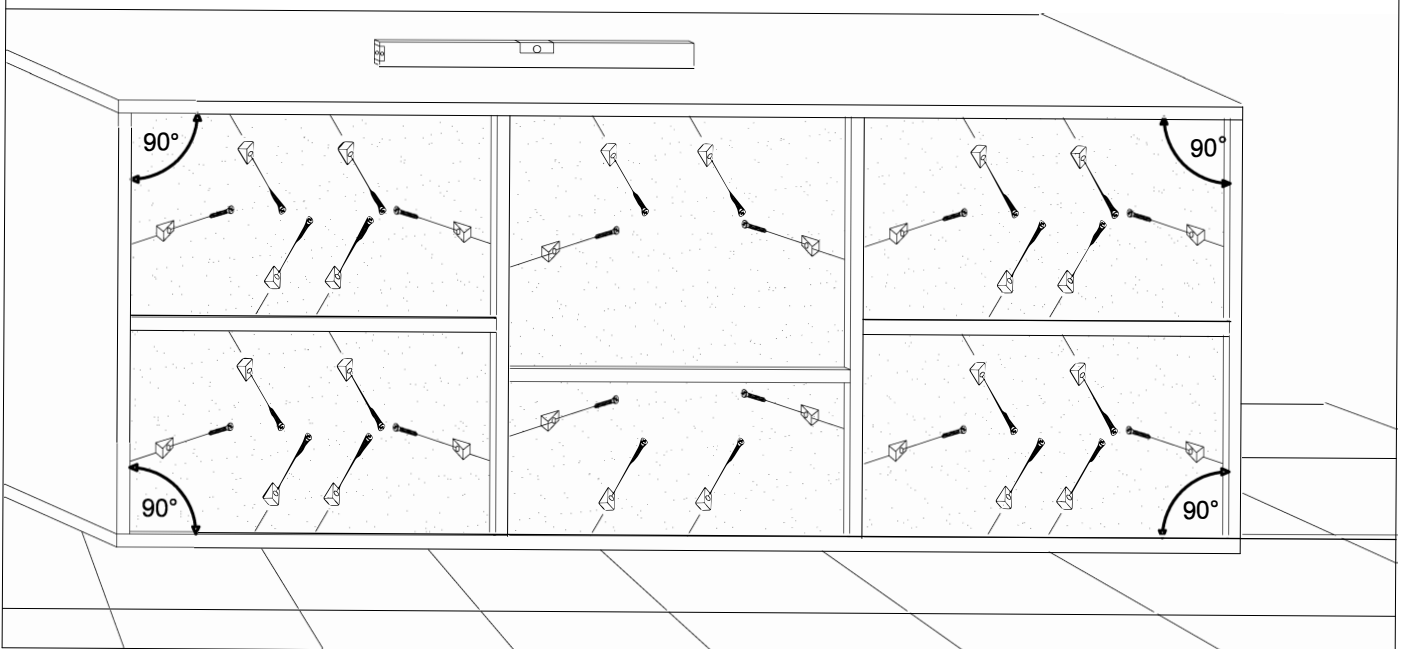


A

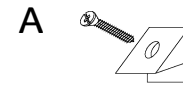
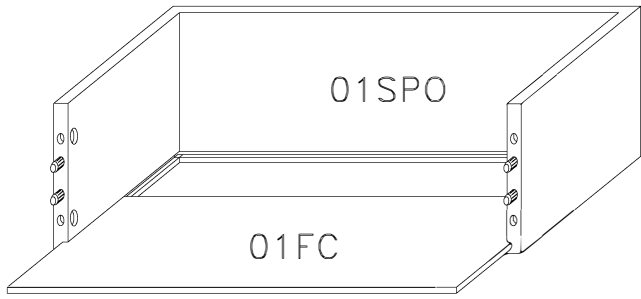


x32

RETRO-BACK



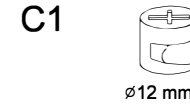
7



x4



x4



∅12 mm.

x8

D1



x4

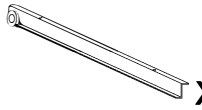
L3516



3x16 mm.

x4

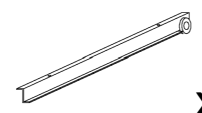
DR



x8

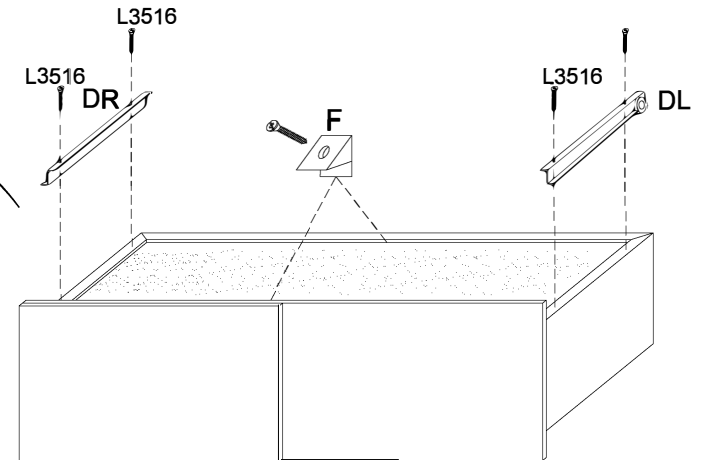
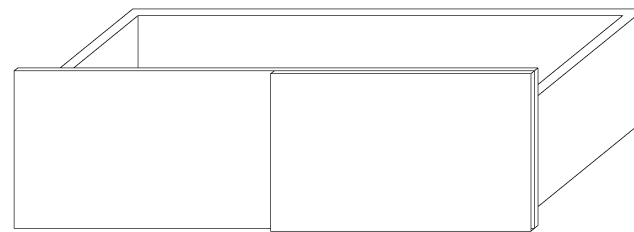
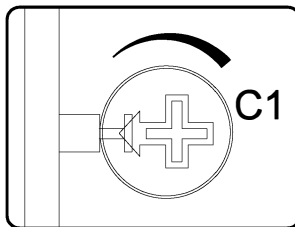
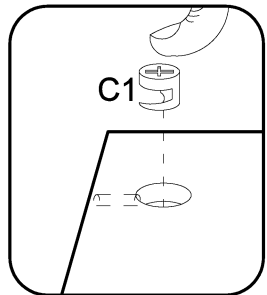
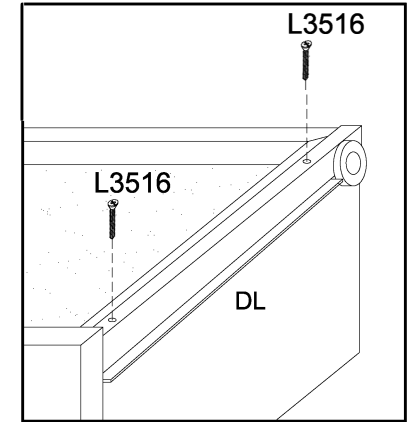
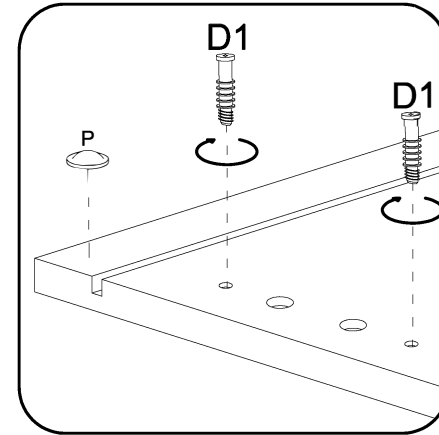
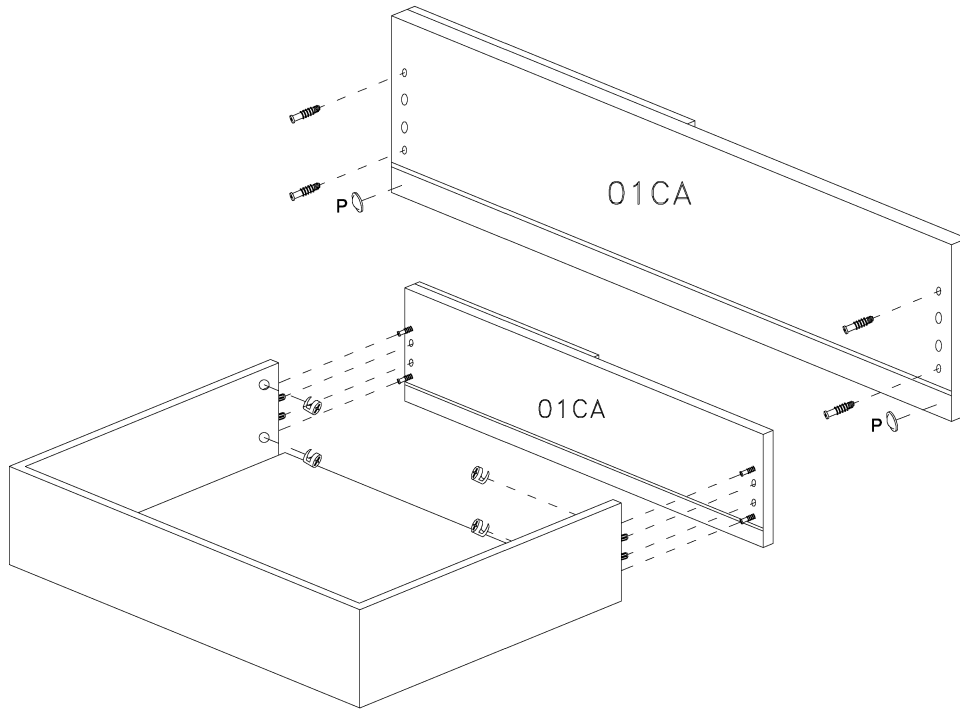
x2

DL

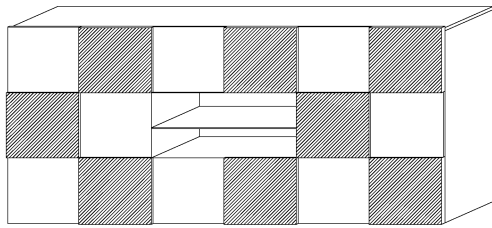





x8

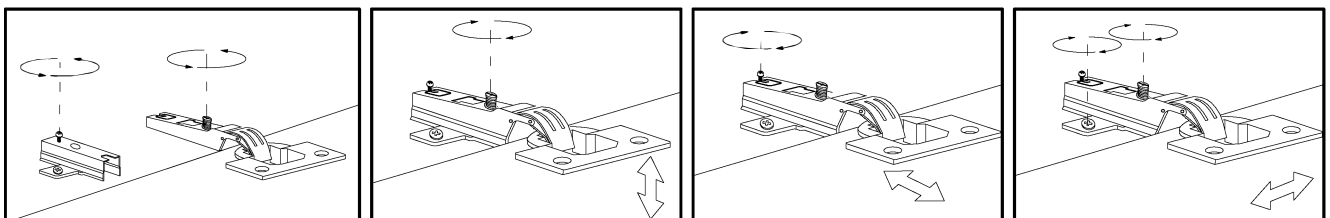
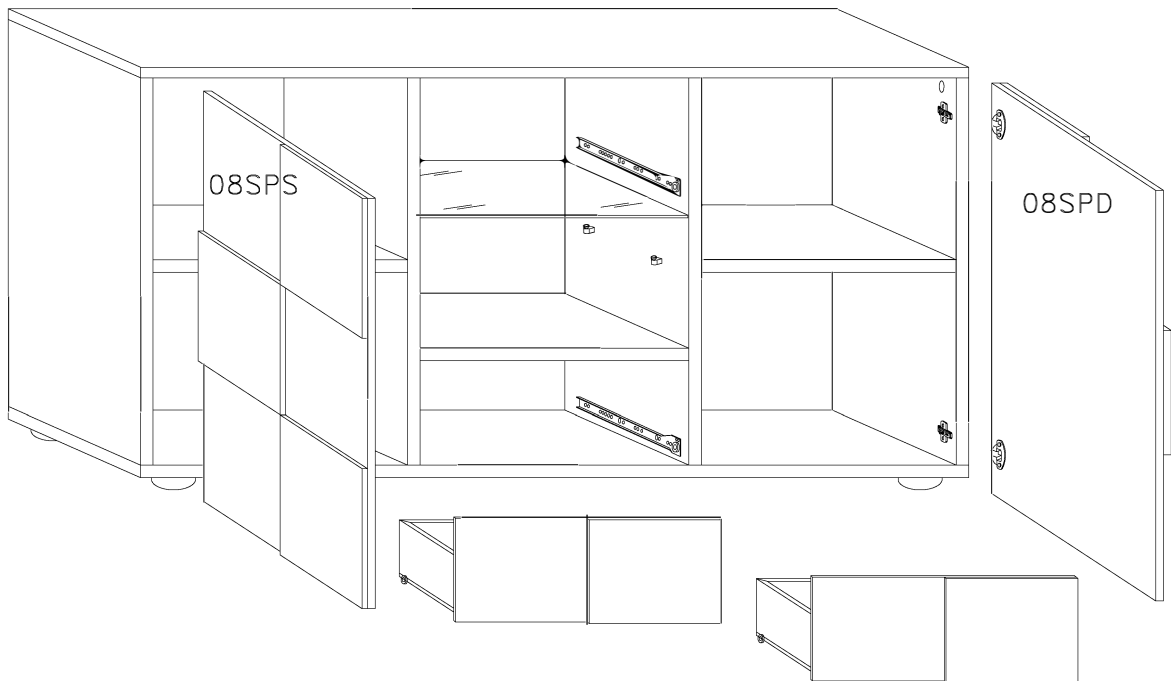
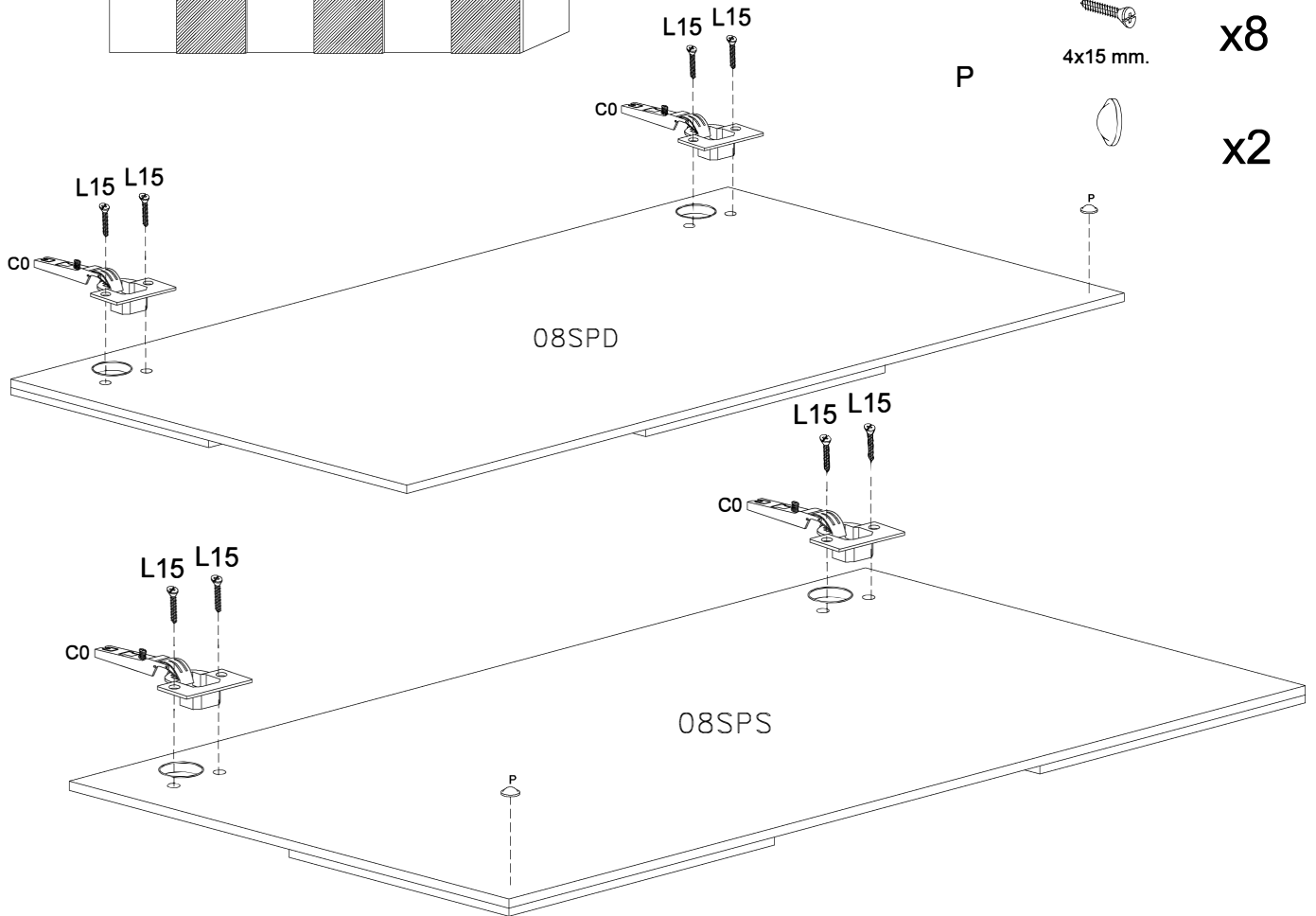
x2



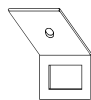
8



- C0  x4
- L15  x8
- P  4x15 mm. x2



T



L3



4x18 mm.

x1

x1

